

TOSHIBA



Scale Printer

ASTRA





ASTRA

The leader in form, function and value.

No other retail scale printer can match the combination of performance and price exhibited by the new Astra. Engineered from the base to the platter for precise and consistent performance, the Astra incorporates an ergonomic design that successfully delivers customer convenience. Further enhancing operation are the Astra's bright, easy-to-read displays, easy label loading feature, and user-friendly keyboard design.

Simple programming tool

To speed setup, we've created a unique, yet simple software tool that allows quick PLU editing using a PC. In addition, the configuration parameters can be saved to a PC for safe backup.

Expanded memory storage

The Astra can store an amazing 2000 PLUs, virtually ensuring that you'll never run out of memory. That's nearly twice the capacity of others!



AstraLink Editing Screen

Attractive labels...FAST

Eye-catching point of purchase labels determine whether products sit on the shelf or are snatched up by consumers. The Astra excels by producing attractive labels up to 64mm in width and 85mm long...all at an incredibly fast 80mm per second.

Easy label loading

A convenient side-loading label door makes replacing rolls incredibly easy.



Bright, bold display



Versatile function keys

Programmable function keys such as "99" or "00" keys allow frequently used prices like \$1.99 or \$2.00 to be entered quickly. Other function key features include three types of price discounts, a Peel Timer key to adjust the interval of continuous label issue, and an Extra Text key to key-in a desired extra text in normal operation.

Applications

- Supermarket
- Bakery
- C-Store
- Deli
- Seafood shop
- Specialty store

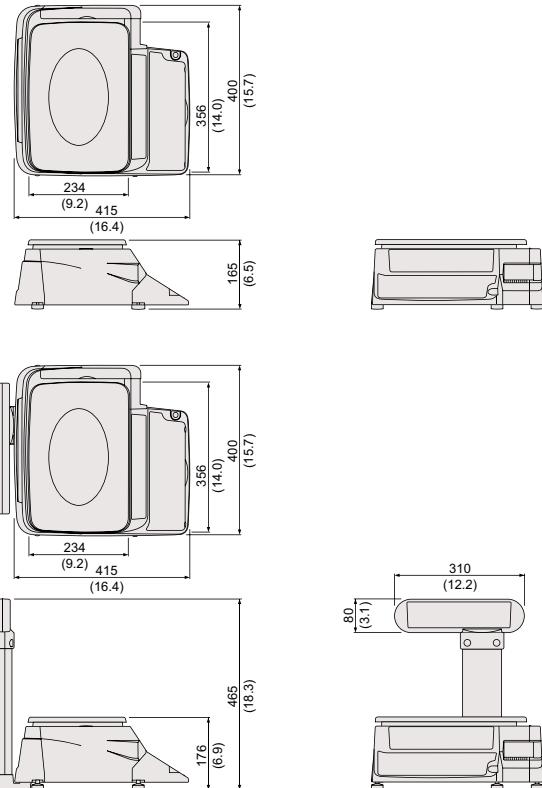


Pole type

Specifications

Capacity	15 kg, 6 kg
Display	(Type 1) Tare: 4 digits, Weight: 5 digits, Unit Price: 5 digits, Total Price: 6 digits (Type 2) Weight: 5 digits, Unit Price: 8 digits, Total Price: 8 digits
Accuracy	1/3000
Minimum Graduations	0.005 kg, 0.002 kg
Label Width	38 - 64 mm
Label Printing Width	Up to 60 mm
Label Length	30 - 85 mm
Label Backing Paper Width	Up to 67 mm
Printing Speed	80 mm/sec.
Label Roll Dimension	Inside diameter: 40 mm Outside diameter: 100 mm
Communications	RS232C (for AstraLink PLU editor) Scale data copy function
Keyboard	64 keys (88 presets using Mode key)
Memory Capacity	256 KB 3800 PLUs (30 characters per PLU)
Power Supply	AC 115 V / 220 V / 240 V, 50 / 60 Hz
Approvals	UL, C-UL, CE, C-Tick, NTEP

Dimensions unit: mm (inch)



Specifications subject to change without notice

TOSHIBA



GAMMA SCALE™
Weighing Instruments
Sales & Service

Tel: (905)455-8333
Fax: (905)455-0658
E-mail: info@gammascale.com
Website: www.gammascale.com