



GAMMA SCALE

Weighing Instruments Sales, Service, Rentals



Accuracy Class: OIML Class III

Display: 20mm (0.8") LCD

Tare Range: Full capacity

Stable Time: < 10 seconds

Safe Overload: 120% Max. Capacity

Overload Indication: 100% Max. Capacity +9e

Ultimate Overload: 300% Max. Capacity

Operation Time: > 150 hours

Operating Temperature: 10°C to +40°C [15°F to +105°F]

Operating Humidity: < 85% RH under 20°C [68°F]

Battery of Remote Controller: 3×1.5V AA Battery (included)

Tyler Lake

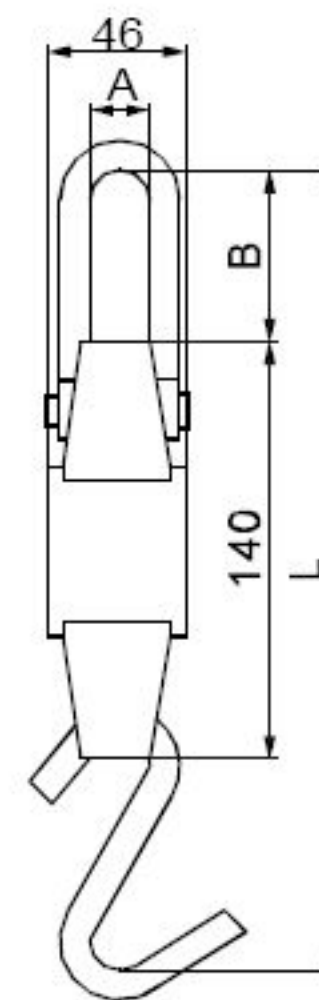
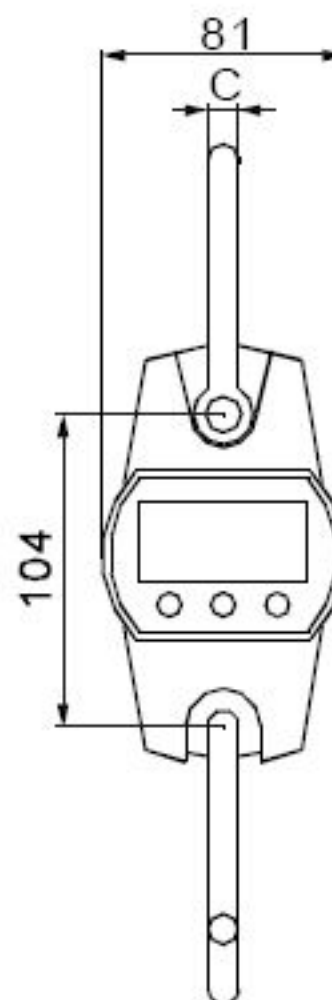
Tel: (905) 455-8333

Fax: (905) 455-0658

E-mail: info@gammascale.com

Website: www.gammascale.com

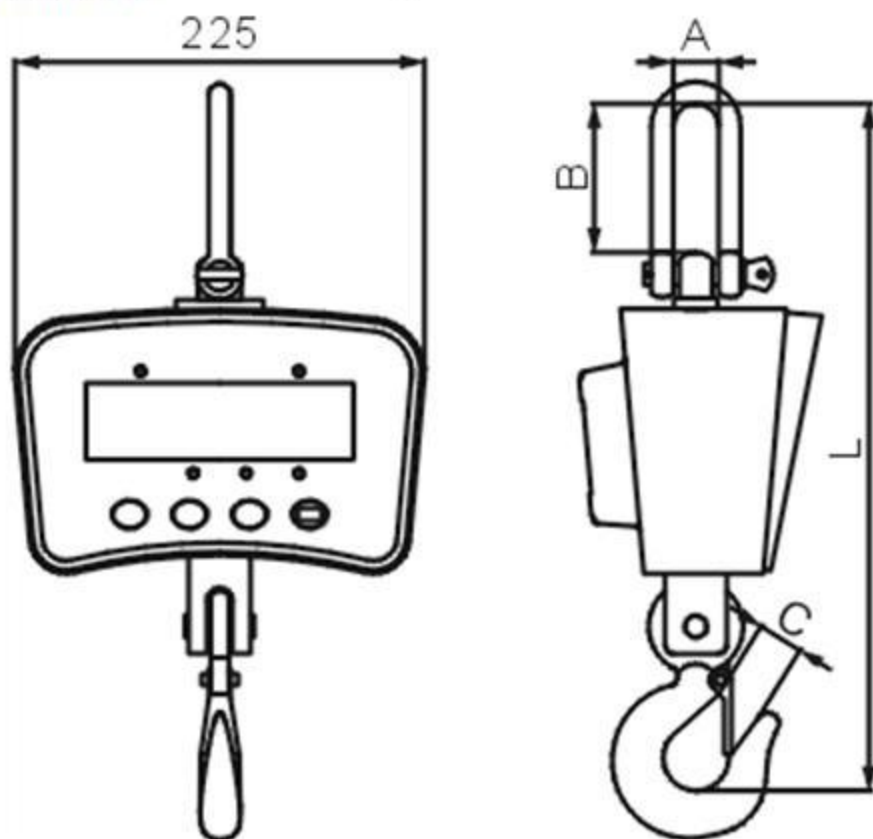
Address: 8 Roehampton Cres, Brampton, ON L6Y2R4



Rated Capacity	A	B	C	L	Division	N.W.
30kg/60 lb	20mm/0.79"	70mm/2.76"	10mm/0.39"	265mm/10.43"	0.01kg/0.02 lb	620g/1.4 lb
60kg/120 lb	20mm/0.79"	70mm/2.76"	10mm/0.39"	265mm/10.43"	0.02kg/0.05 lb	620g/1.4 lb
120kg/240 lb	20mm/0.79"	70mm/2.76"	10mm/0.39"	265mm/10.43"	0.05kg/0.1 lb	620g/1.4 lb
200kg/400 lb	20mm/0.79"	70mm/2.76"	10mm/0.39"	265mm/10.43"	0.1kg/0.2 lb	620g/1.4 lb
300kg/600 lb	20mm/0.79"	70mm/2.76"	10mm/0.39"	265mm/10.43"	0.1kg/0.2 lb	620g/1.4 lb

Features:

- Fast resolution switching
- 30mm (1.2") LED display (OCS-M1)
30mm (1.2") LCD display (OCS-M2)
- Rotatable hook
- Idle mode to maximize battery life
- HOLD function
- Gross / Net weight display convertible
- Unit switch: kg / lb
- Auto overload alarm at 100% F.S. +9e
- Auto shut function
- Remote control calibration

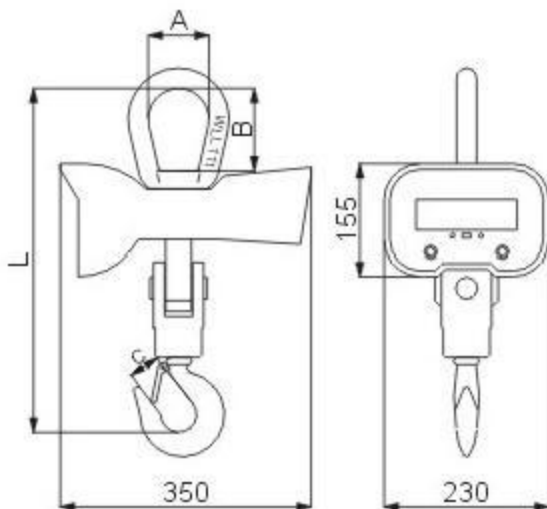


DIMENSIONS

GAPACITY	A	B	G	L
lb/inches				
200	0.8	3.1	0.9	13.8
400	0.8	3.1	0.9	13.8
600	0.8	3.1	0.9	13.8
1,000	1.0	3.3	1.4	14.6
2,000	1.0	3.3	1.4	14.6

CRANE SCALE

GAMMA SCALE
905-455-8333



Rated Capacity	A	B	C	L	Division	N.W.
1t/2 klb	70mm/2.76"	100mm/3.94"	35mm/1.38"	395mm/15.55"	0.5kg/1 lb	12kg/35.3 lb
2t/4 klb	70mm/2.76"	100mm/3.94"	35mm/1.38"	395mm/15.55"	1kg/2 lb	12kg/35.3 lb
3t/6 klb	70mm/2.76"	100mm/3.94"	35mm/1.38"	395mm/15.55"	1kg/2 lb	12kg/35.3 lb
5t/10 klb	85mm/3.35"	115mm/4.53"	40mm/1.57"	490mm/19.29"	2kg/4 lb	17kg/55.1 lb

Accuracy Class	OIMLIII
Display	38mm LED for OCS-B3 / 30mm LCD for OCS-B4
Tare Range	Full Capacity
Stable Time	< 10 Seconds
Safe Overload	120% Max. Capacity
Overload Indication	100% Max. Capacity +9e
Ultimate Overload	400% Max. Capacity
Operating Temp.	-10 ~ 40°C [14 ~ 104°F]
Operating Humidity	< 85% RH under 20°C [68°F]
Operating Time	60 ~ 100 hours
Power Source	AC Adapter 9V / 1500mA (Included)
	Fully sealed lead-acid battery rechargeable, 6V / 10Ah
Battery of Remote Controller	5# (AA) battery, 1.5V × 2 (included)