



MS2320
full-size scanner/scale



MS2300 Series **StratosH™**

Metrologic's StratosH 6-sided, 360°-bioptic scanner/scale provides retailers with high-throughput efficiency and aggressive first-pass scanning performance. Its patented modular independent scanning planes simplify set up, minimize downtime and maximize customer satisfaction.

StratosH ensures checkout efficiency with Stratos**SYNC** and Stratos**SWAP**. Both features capitalize on Metrologic's patented modular scanner configuration of independent vertical and horizontal scanning planes.

The StratosH form factor is available in several lengths and boasts a 4-inch-below counter depth for easy integration into most checkout environments.

The high performance of the Stratos series has been united with the legendary accuracy and ruggedness of the Mettler Toledo dual interval scale.

Specifically designed to withstand the most grueling checkout environments, the DIVA dual interval scale supports both weight-only and price-computing applications. This allows international retailers to easily create global standards for their POS systems.

StratosH also features RS-232 auxiliary port, Flash ROM firmware upgrade capability, MetroSet@2 PC-based configuring and sapphire or diamonex horizontal window.

www.metrologic.com/MS2320



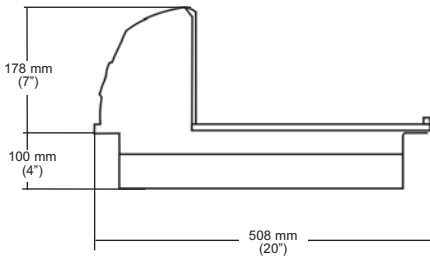
FEATURES

- 6-sided, 360°-scanning
- DIVA dual interval scale
- Stratos**SYNC**™ independent scanning planes
- Stratos**SWAP**™ pre-aligned optical scanning modules
- Stratos**SCHOOL**™ operator training software

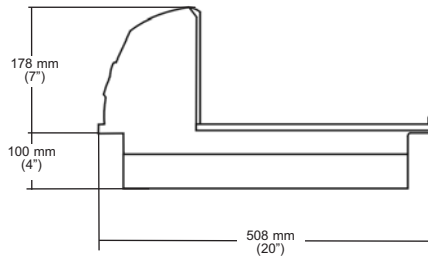
BENEFITS

- Optimizes checkout productivity and operator safety by capturing data regardless of bar code orientation to scanner
- Legally and accurately weighs items as light as 40 g/0.1 lb and as heavy as 15 kg/30 lb
- Maintains productivity and uptime via independent scanning planes
- Minimizes downtime and lowers cost of service with field-replaceable optical modules
- Increases productivity and efficiency by teaching proper scanning techniques

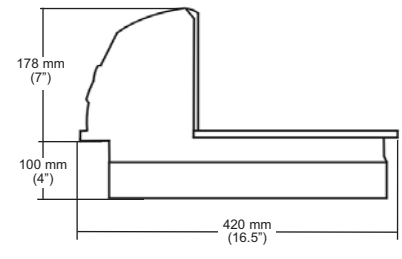
MS2320 full-size scanner and scale



MS2321 full-size scanner only



MS2322 compact-size scanner only



OPERATIONAL

Light Source	Visible Laser Diode 650 nm ± 10 nm	
Laser Power - (horz/vert)	1.1 mW / 1.5 mW	
Motor Speed - (horz/vert)	4800 / 4800 RPM	
Sides Read	6	
Decode Capability	All standard 1-D bar codes, RSS-14, RSS-Expanded, RSS-14 Limited	
System Interfaces	RS-232, Aux. RS-232, IBM468x/469x, USB, OCIA	
Number Characters Read	Up to 80 data characters	
Speaker Operation	7 tones or no beep; 3 volume settings	
Indicators (LED)	Blue = ready to scan; White = good read	

MECHANICAL

Length	MS2320 (full-size scanner with scale)	508 mm (20")
	MS2321 (full-size scanner only)	508 mm (20")
	MS2322 (compact-size scanner only)	420 mm (16.5")
Width	292 mm (11.5")	
Depth (below counter)	100 mm (4")	
Height (above counter)	178 mm (7")	
Weight	MS2320 (full-size scanner with scale)	11.8 kg (26 lb)
	MS2321 (full-size scanner only)	7.7 kg (17 lb)
	MS2322 (compact-size scanner only)	7.3 kg (16 lb)

ELECTRICAL

Input Voltage	100 - 240 VAC, 50 - 60 Hz, 0.6A	
Power	13.5 W (operating); 5 W (standby)	
Operating Current	900 mA (5V) / 700 mA (12V)	
DC Transformers	Class 1; 5 VDC @ 1.5 A; 12 VDC @ 1.5 A	
Laser Class	CDRH & IEC: CLASS 1 laser product according to IEC 60825-1:1993+A1:1997+A2:2001	
EMC	FCC, ICES-003 & EN55022 Class A	

ENVIRONMENTAL

Operating Temperature	0°C to 40°C (32°F to 104°F)	
Storage Temperature	-40°C to 60°C (-40°F to 140°F)	
Humidity	5% to 95% relative humidity, non-condensing	
IP Rating	IP 55	
Light Levels	4842 Lux (450 footcandles)	
Contaminants	Sealed to resist airborne particulate contaminants	
Ventilation	None required	

Product Colors Available



MS2300 series is available in a variety of other colors with minimum quantity purchase

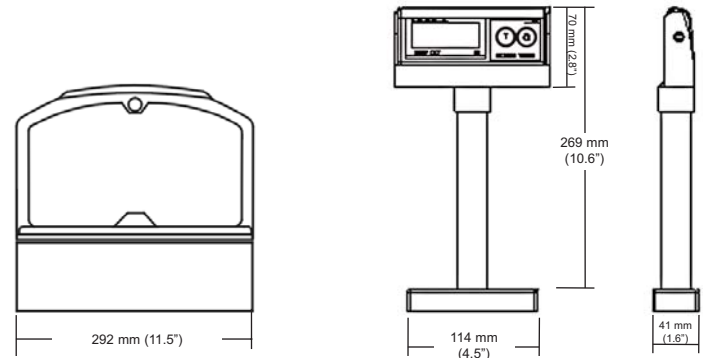
SCAN PERFORMANCE

Depth of Scan Field - (horz)	0 mm - 152 mm (0" - 6") for 0.33 mm (13 mil) bar code
Depth of Scan Field - (vert)	0 mm - 216 mm (0" - 8.5") for 0.33 mm (13 mil) bar code
Scan Speed	5280 scan lines per second
No. of scan lines - (horz/vert)	66 (38/28)
Scan Zone	360°
Minimum Bar Width	0.152 mm (6 mil)
Print Contrast	35% minimum reflectance difference
Roll, Pitch, Yaw	360°, 60°, 60°

SCALE SPECIFICATIONS

Capacity	0-6 kg x 0.002 kg; 6-15 kg x 0.005 kg (0-15 lb x 0.005 lb; 15-30 lb x 0.01 lb)
Minimum legal weight	40 g (0.1 lb)
Interfaces	RS-232, adapter cables available
Communication	Protocols included work with most popular POS systems
Operating range	-10°C to 40°C (14°F to -104°F); 0-85% humidity; non-condensing
Automatic zero maintenance	Assures a stable zero reading
Approvals	NTEP, OIML, CE

ALL MODELS



Revision: D



Sunrise 2005 Compliant

ISO 9001:2000

Specifications subject to change without notice. Printed U.S.A. Copyright January 2008 Metrologic, All rights reserved.



Metrologic Instruments, Inc. | **Worldwide Headquarters**
 90 Coles Road | Blackwood, NJ 08012-4683 | info@metrologic.com
 Telephone 856-228-8100 | Fax 856-228-6673 | www.metrologic.com

Asian Headquarters Tel. 65.6842.7155 info@sg.metrologic.com	European Headquarters Tel. 49.89.89019.0 info@eu.metrologic.com	The Americas Headquarters Tel. 1.800.ID.METRO info@us.metrologic.com
--	--	---



DS2320