



UNI-5

RETAIL SCALE PRINTER



ISHIDA CO., LTD.

44 SANNO-CHO, SHOGOIN, SAKYO-KU

Specifications and design are subject to change without notice.



GAMMA SCALE™
Weighing Instruments
Sales & Service

Tel: (905)455-8333
Fax: (905)455-0658
E-mail: info@gammascale.com
Website: www.gammascale.com

Touch Panel

The 7" touch panel makes scale operation as easy as playing. The display consists of a neat format multi-window layout for tare, weight, unit price and total price positioned vertically on the right-hand side of the display, PLU name window and icons to easily identify the scale connectivity status/printing mode/USB port. Up to 3 sizes of preset keys may be programmable with the small size capable of accommodating up to a maximum of 20 freely programmable preset keys on a single page. The Uni-5 can store up to 99 pages and each can be set as category/ group/ function/ operator/ PLU page. Further more, the operator display may be utilised to view virtual receipts, open tickets, visualise totals before printing and easy label formatting.

PLU 0		28.SEP.2010 (TUE) 08:34		TARE	kg	0.00
Check the weight before operation. Enter PLU No. and press [PLU] key.		ZERO	WEIGHT	kg	0.00	0.00
CATEGORY GROUP (1)	CATEGORY GROUP (2)	UNIT PRICE	€/kg	0.00	0.00	0.00
CATEGORY GROUP (3)	CATEGORY GROUP (4)	TOTAL PRICE	€	0.00	0.00	0.00

Weighing Platter

Uni-5 is available in different capacity version: 3/6kg, 6/15kg and 15/30kg. All capacities come with a standard resolution of 3,000 divisions.

Interfaces

The Uni-5 comes with several interfaces as standard:

- A) RS232 for self-service 2 or 3 panel keyboards connection or serial barcode scanner
- B) Ethernet (100Mbps) for connection with PC and connection with other scales (floating operator system)
- C) USB for memory expansion up to 2GB or barcode scanner connection
- D) RJ port for cash drawer connection

Wi-Fi is available as an option and may be ordered either as a kit or as built-in factory option before placing order.

Electronics/OS/Design

The hi-tech electronic multi-layer mainboard and stable VxWorks operating system is what makes Ishida's retail scale printer a truly reliable and long-lasting scale for operation. From a design point-of-view, the tilting platter allows the possibility to have a low-profile scale base and also a small foot-print hence making sure the Uni-5 will look attractive for the store, operator and more importantly the customer!

Customer display

A sharp, bright, grayscale 7" LCD with backlight helps attract customers' attention. Brightness is software adjustable and to further reduce power consumption, standby mode may be set to trigger automatically. The customer display can show scrolling/ flashing advertising messages and up to 6 images per A/D message with variable selectable speeds. A/D messages may also be set to switch to full-screen in order to ensure maximum visibility.



Membrane keyboard

For the last 15 years, Ishida has been using the flat surface membrane keyboard type thus requiring less cleaning time while achieving maximum cleanliness which are vital in everyday's store operation. The Uni-5 membrane keyboard consists of a fixed numeric keyboard, fixed keys for zero setting of the scale, tare key and label/ paper feed key. It also consists of 61 one-touch preset keys freely programmable for PLUs and/or special preset function keys.

Printer

The direct thermal printer with side-loading system on the Uni-5 has a variable speed which can be set via software between 80, 100, 120 and 150mm/sec. The printer comes standard with the backing rewriter thus ensuring you can switch-over from labels to receipt or vice-versa. The peel sensor which is standard too on all Ishida retail scale printers, will make operation easier, faster and helps minimise label waste. The Uni-5 printer is designed with the environment in mind - Linerless printer is available and may be ordered as standard or as a kit in order to be able to print receipt or labels on linerless continuous rolls.



Model Variation...

affordable



Uni-5 SS



Uni-5 E
Customer side



Uni-5 E
Elevated keyboard type retail scale printer with tilting elevated keyboard and tilting customer display

elegant

multi-purpose

powerful CPU

wi-fi

networkable



Uni-5 P
Customer side



Uni-5 P
Pole type retail scale printer with lower keyboard



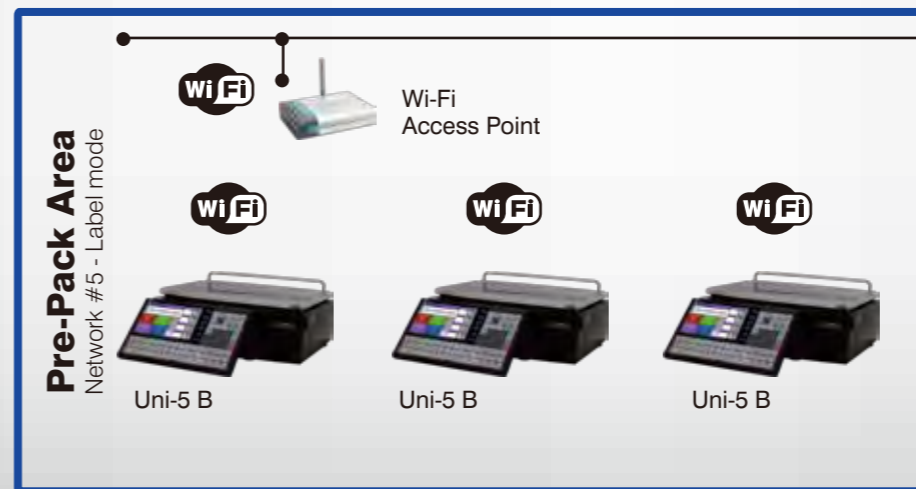
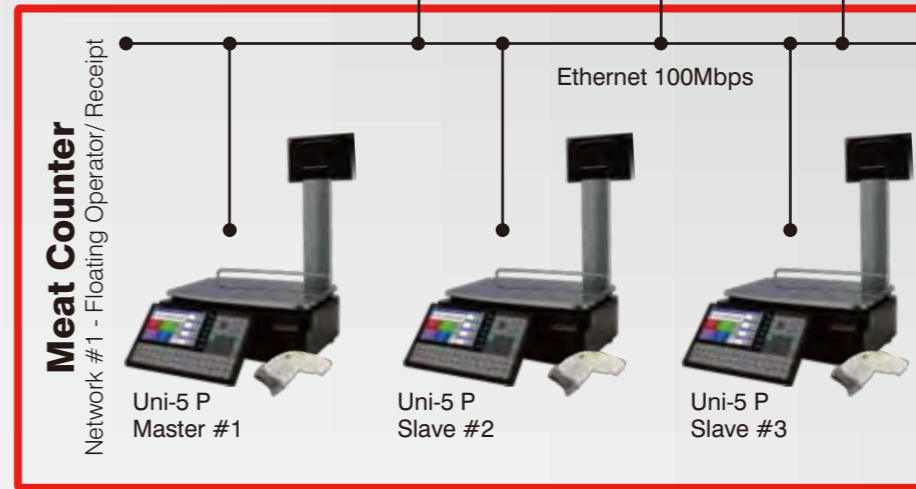
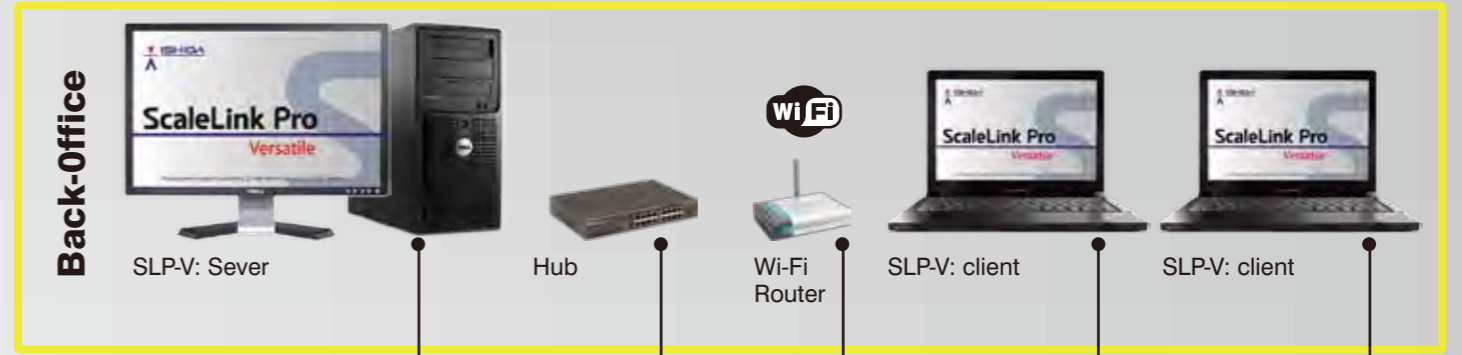
Uni-5 B
Customer side



Uni-5 B
Bench type retail scale printer with lower keyboard

reliable

Multiple system configurations



Technical Specifications

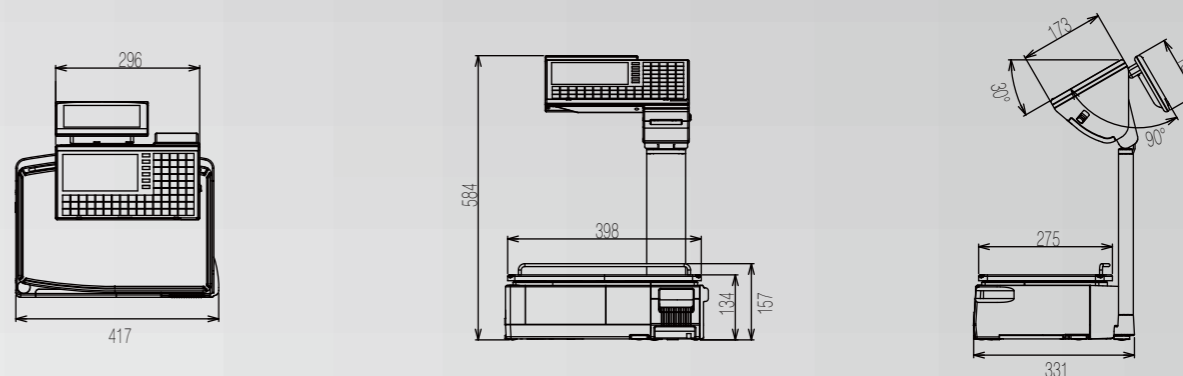
Weight rages:		
Max. Capacity	6/ 15kg	15/ 30kg
Division	2/ 5g	5/10g
Min.	40g	100g
Tare	5.998kg	14.998kg
Printer		
Resolution	8 dots/ mm	
Speed	80/ 100/ 120/ 150 mm/sec	
Image printing	Max. 3 label format	
Barcodes	EAN/UPC 8/12/13, ITF, GS1 Databar/Limited/Expanded, CODE128, EAN128	
Customisable label formats	999	
Label printing	Die-cut labels and/or continuous paper	
Max. printing width	56mm	
Max. printing height	200mm	
Stepper motor	Forward and backward drive	
Driving mechanism	Toothed belt	
Thermal head replacement	Ishida Quick Head Replacement (no tools required)	
Media		
Min. width	38mm	
Max. width	64mm (including backing paper)	
Min. height	38mm	
Max. height	200mm	
Display		
Operator side	7" colour touch panel	
Customer side	7" gray scale panel	
Type	4-wire resistive	
Max. pages	99	
Keyboard	Fully programmable category/ group/ function/ sub-total pages	
Keyboard		
Type	Membrane	
Numeric	0-9 keys, 00 key programmable	
Memory		
SRAM	4MB	
SDRAM	64MB	
Flash memory	32MB	
*USB	2GB	
PLU data settings		
Sales modes	Weight/ fixed price/ 100g/ weight and fixed price	
Dates	1 x Pack date, 2 x expiry dates	
Time	1 x Pack time, 2 x expiry times	
Other settings	Tare, VAT, department, group barcode format, traceability, fidelity points, deposit/link, 1st and 2nd label format, 3 images for printing, 1 display image, 1 safe handling image	
Traceability		
Type	I (manual input) and II (scanner input)	
Barcode formats		
Pr-defined	34 formats	
Customisable	Indefinite	
Reports		
Receipt totals	Daily/ weekly/ cumulative	
Pre-pack totals	Daily/ weekly/ cumulative	
Interfaces		
RS232C	1	
RJ485	1	
USB	1 (ver 1.0)	
Ethernet	1 (100Mbps auto-duplex)	
*Wi-Fi	1	
Scanner		
*Barcode scanner	Serial or ethernet	
Operating voltage		
Range	100 - 240V 50/60Hz	
Permissible tolerance	+/- 10%	
Operational environment		
	Min. +5 °C (41 °F), Max. +35 °C (95 °F), 20% - 85% R.H.	

* Optional

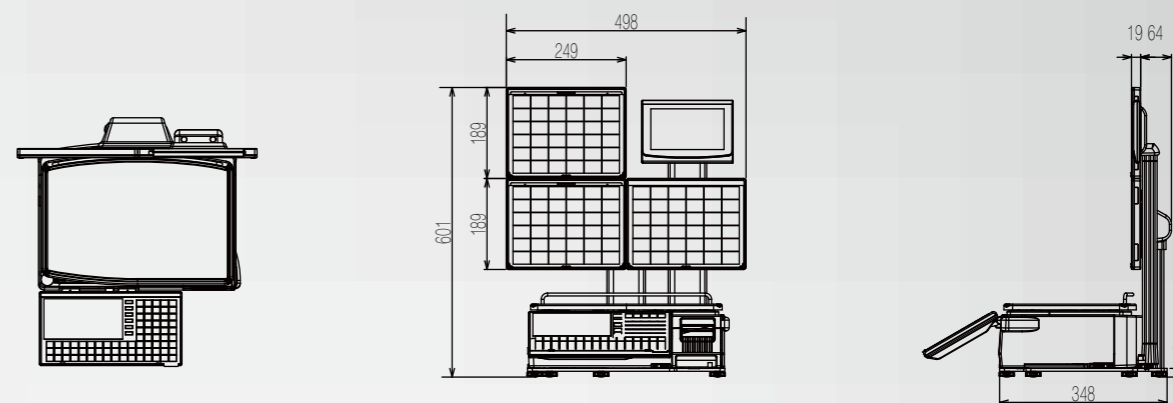
Dimensions

Unit: mm

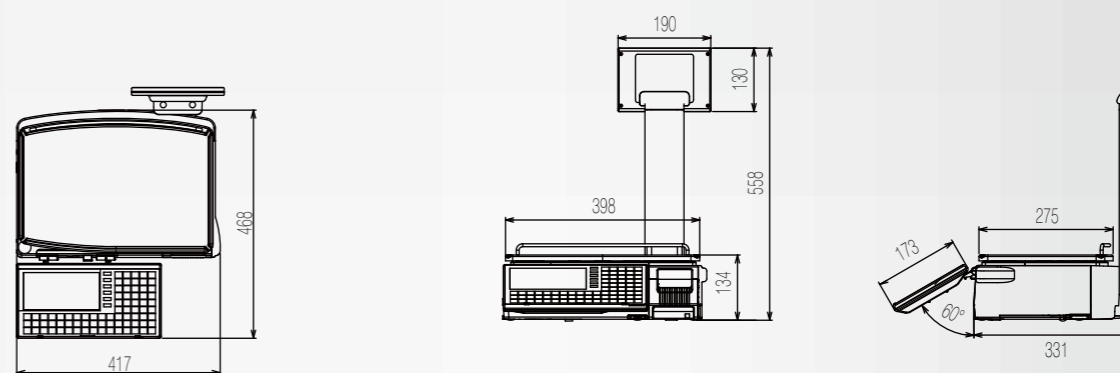
Uni-5 E (Elevated Keyboard Type)



Uni-5 SS (Self-Service Type)



Uni-5 P (Pole Type)



Uni-5 B (Bench Type)

